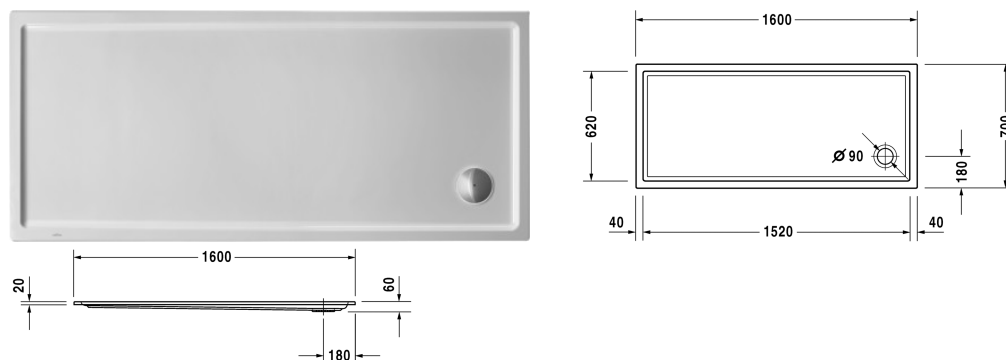


Shower tray # 720129000000000 / 720129000000001

|< 1600 mm >|



Shower tray	Dimension	Weight	Order number
rectangle, sanitary acrylic, 60 mm			
<b>Colors</b>			
00 White Alpin			
<b>Variant</b>			
Shower tray	1600 x 700 mm	30.500 kg	720129000000000
Shower tray with Antislip	1600 x 700 mm	30.500 kg	720129000000001
<b>Accessory for shower trays</b>			
Noise reduction set for acrylic shower trays Contents: noise reduction shower tray anchors, noise protection shower tray feet, bitumen pads, rubber profile # 790126			791369
Support for shower tray for # 720129			791492
Outlet drain vertical outlet			790269
Outlet drain horizontal outlet			790263
Rubber profile for noise reduction, length: 3300 mm, Width: 70 mm			790126
Bathtub anchors for mounting and support of bathtubs and shower trays, 3 pieces			790103
Support frame with length $\geq$ 1500 mm			790105

All drawings contain the necessary measurements which are subject to standard tolerances. Exact measurements, in particular for customised installation scenarios, can only be taken from the finished ceramic piece.