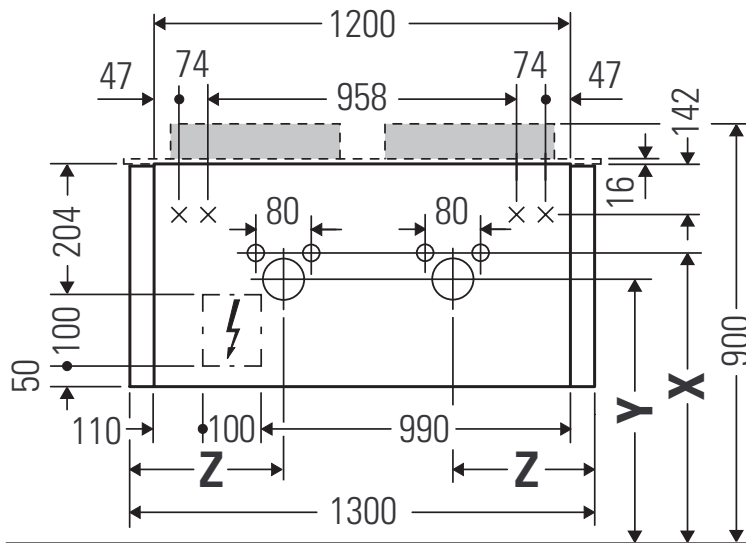
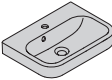


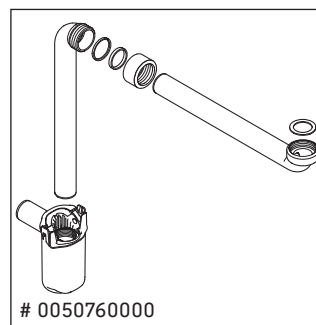
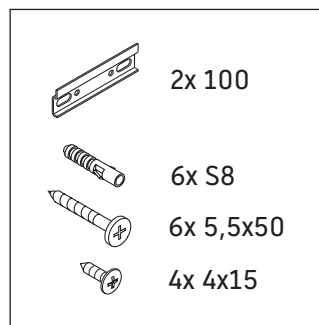
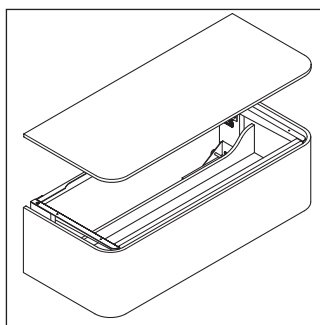
Happy D.2 Plus

HP 4943

Mounting instructions



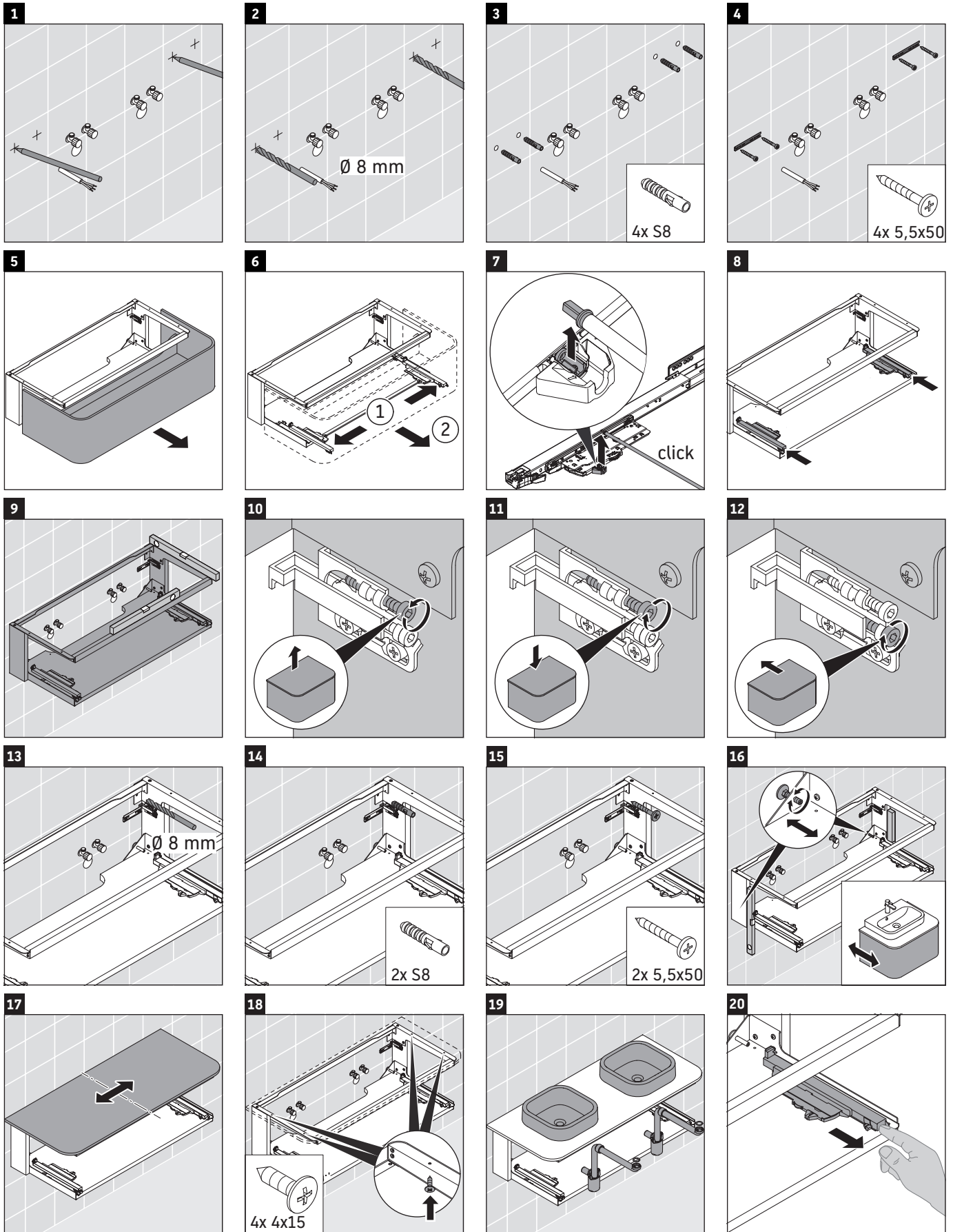
	Z mm	X mm	Y mm
#231440	326	660	610
#235940	326	695	645

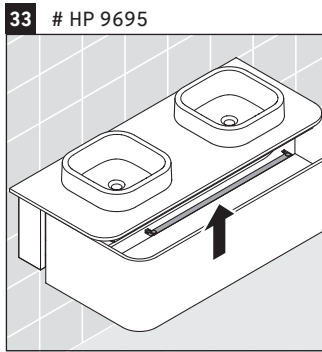
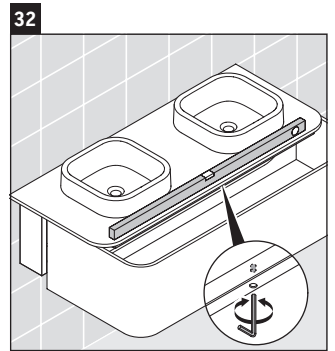
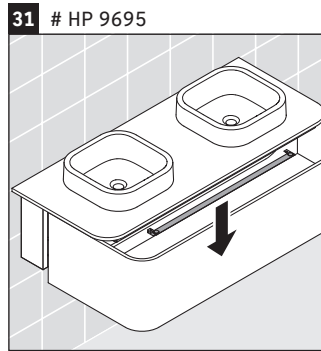
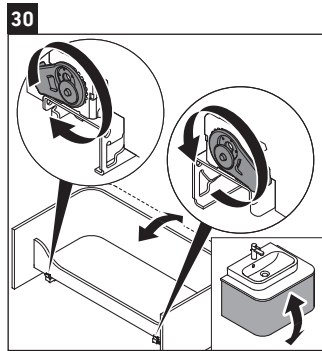
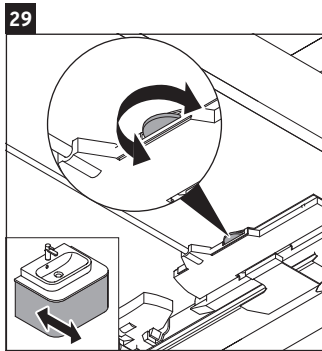
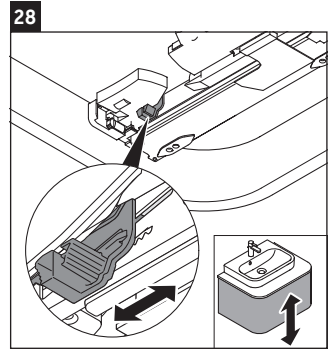
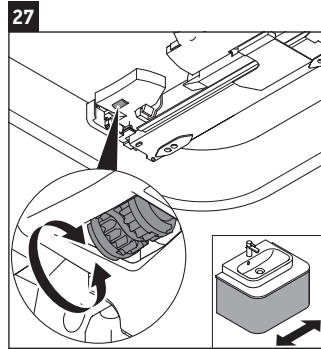
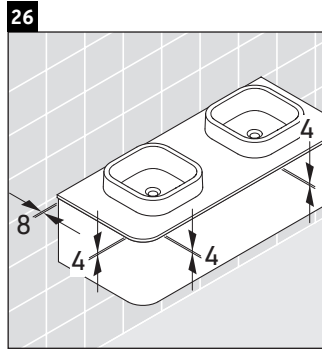
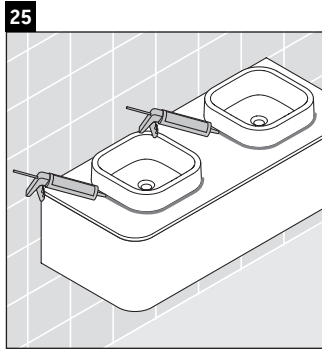
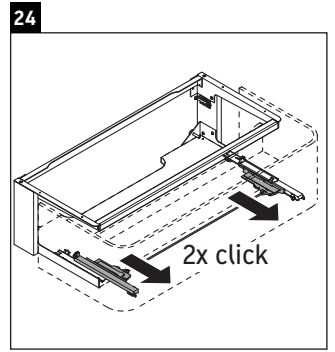
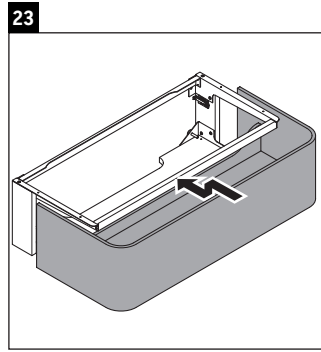
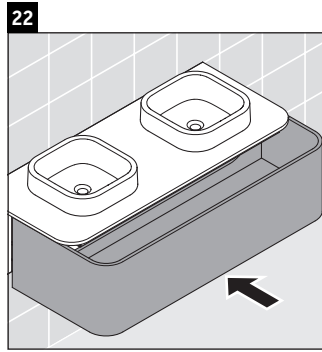
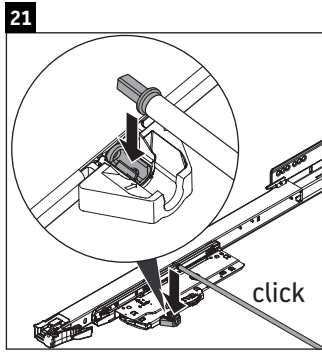


Instructions for use

The bathroom furniture range complies with the standards and guidelines applicable at the time of delivery and is designed for use in bathrooms. Direct contact with water should be avoided, for example, when showering.

We reserve the right to make technical improvements and design modifications to the products illustrated.





Duravit AG
P.O. Box 240
Werderstr. 36
78132 Hornberg
Germany
Phone +49 78 33 70 0
Fax +49 78 33 70 289
info@duravit.com
www.duravit.com



Order no. HP4943/20.02.2